

SPM Series

SMT Power Metal Inductor

Size 4030

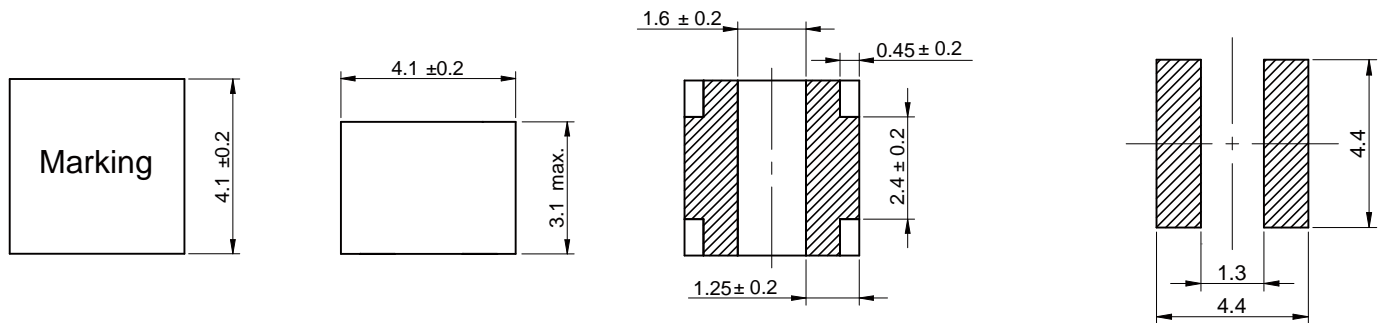


CHARACTERISTICS

- Large current, Low DC-resistance, High efficiency by magnetic metal powder
- Low acoustic noise and low leakage flux noise by shielded construction
- Operating temperature: -40°C ~125°C
- Quantity: 700 pcs/reel

Dimensions: [mm]

Land Pattern: [mm]



Electrical Properties:

	(μH)		(A)	Saturation (A)	($\text{m}\Omega$)	($\text{m}\Omega$)
SPM4030-1R0M	1.0	$\pm 20\%$	7.00	7.40	15	12
SPM4030-1R5M	1.5	$\pm 20\%$	5.90	6.60	20	16
SPM4030-2R2M	2.2	$\pm 20\%$	5.00	6.00	27	22
SPM4030-4R7M	4.7	$\pm 20\%$	3.80	5.10	48	40
SPM4030-5R6M	5.6	$\pm 20\%$	3.60	5.00	56	47
SPM4030-6R8M	6.8	$\pm 20\%$	2.90	4.40	84	70
SPM4030-100M	10	$\pm 20\%$	2.40	3.50	120	100

Temperature rise current: the actual value of DC current when the temperature rise is $\leq 40^\circ\text{C}$
 Saturation Current that will cause initial inductance to drop approximately 20%

