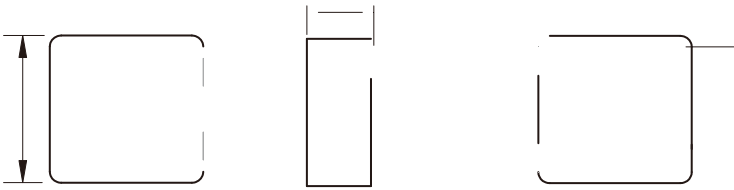
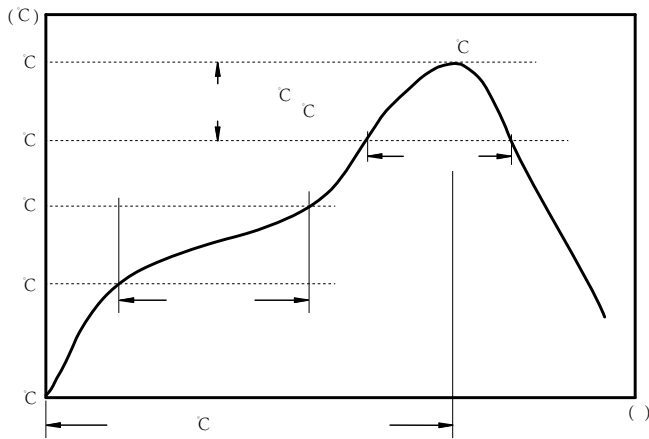


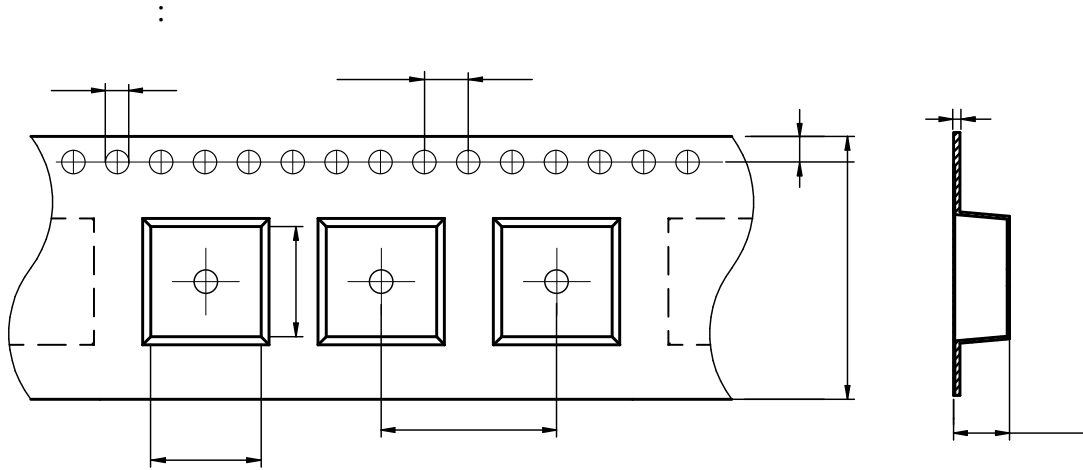
MDTA Series

APPLICATION

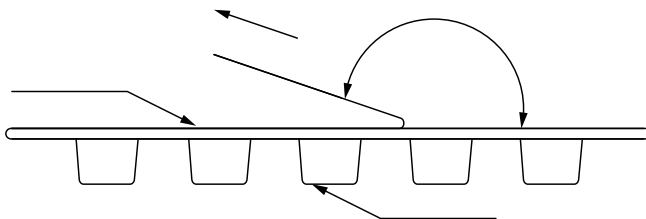




c
c
c



MDTA8080	9.4± 0.1	8.9± 0.1	1.5± 0.1	4.0± 0.1	16.0± 0.1	24.0± 0.3	8.5± 0.1	1.75± 0.1	0.50± 0.05



The peel force of top cover tape shall be between 0.1 to 1.3 N

Marking	Printing Inductance)
---------	----------------------

