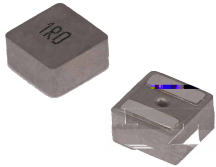


MDTA Series

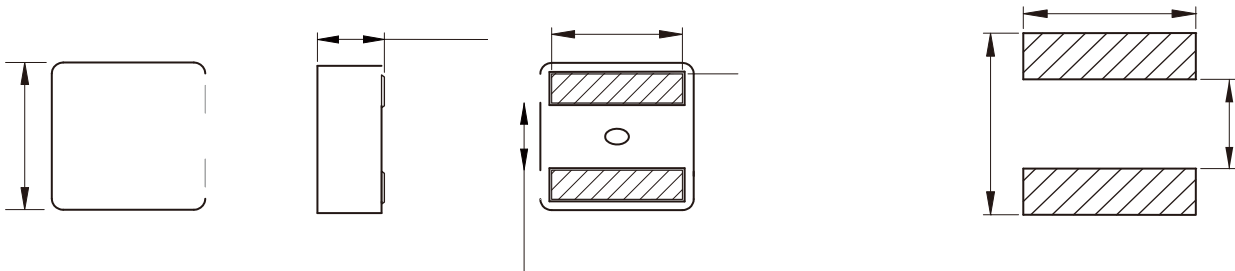


FEATURES

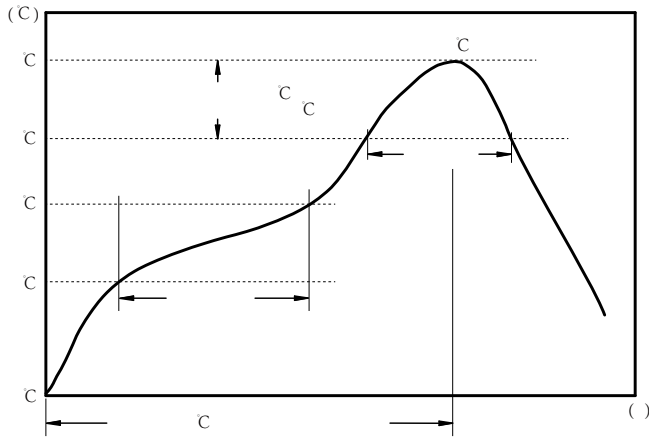
- Flat wire coil for low copper losses
-
-
- High current capacity
- AE
-
-

APPLICATION

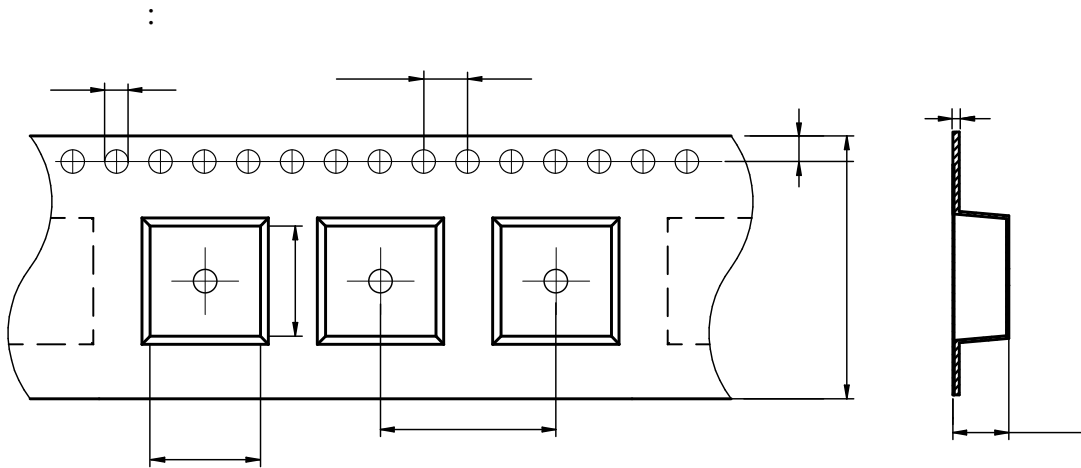
- Noise suppression for motor wipers / power seats /
-
-



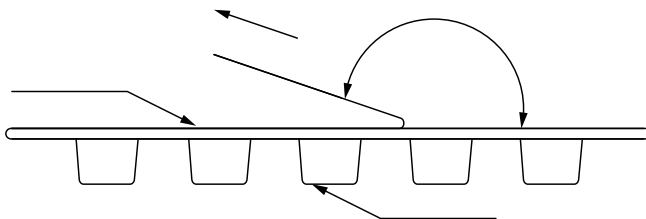
		±20%					
		±20%		20.0			
		±20%					
		±20%					
	2.20	±20%			20.0	20.0	
		±20%					
		±20%					



c
c
c



MDTA1060	12.4±0.1	11.5±0.1	1.5±0.1	4.0±0.1	16.0±0.1	24.0±0.3	6.3±0.1	1.75±0.1	0.50±0.05



The peel force of top cover tape shall be between 0.1 to 1.3 N

Marking	Printing (Inductance)
---------	-----------------------

